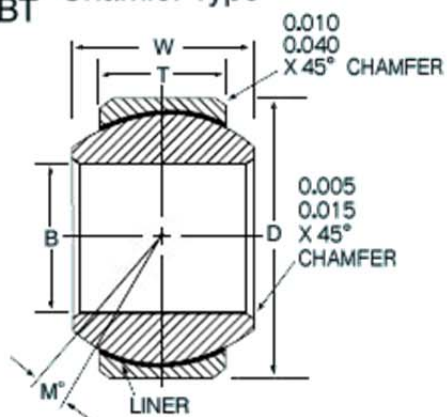
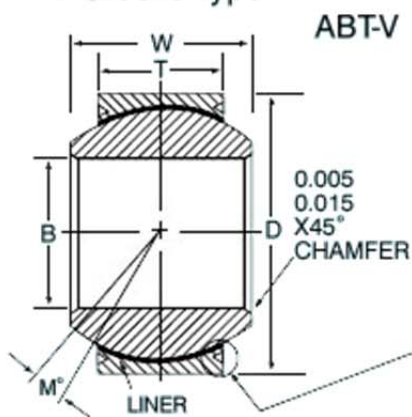


ABWT シリーズ

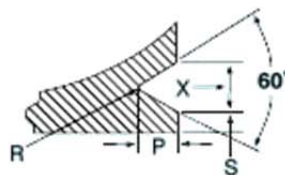
ABT Chamfer Type



V-Groove Type



Staking Groove Detail



型式	B (Inch)	φD (Inch)	T (Inch)	M (M°)	W (Inch)	Weight (lbs)
ABWT4(R)	1/4	0.6250	0.327	15	0.437	0.031
ABWT4V(R)	1/4	0.6250	0.327	15	0.437	0.031
ABWT5(R)	5/16	0.6875	0.317	14	0.437	0.035
ABWT5V(R)	5/16	0.6875	0.317	14	0.437	0.035
ABWT6(R)	3/8	0.8125	0.406	14	0.437	0.035
ABWT6V(R)	3/8	0.8125	0.406	14	0.437	0.035
ABWT7(R)	7/16	0.9375	0.442	10	0.562	0.080
ABWT7V(R)	7/16	0.9375	0.442	10	0.562	0.080
ABWT8(R)	1/2	1.0000	0.505	9	0.625	0.100
ABWT8V(R)	1/2	1.0000	0.505	9	0.625	0.100
ABWT9(R)	9/16	1.1250	0.536	10	0.687	0.135
ABWT9V(R)	9/16	1.1250	0.536	10	0.687	0.135
ABWT10(R)	5/8	1.1875	0.567	12	0.75	0.160
ABWT10V(R)	5/8	1.1875	0.567	12	0.75	0.160
ABWT12(R)	3/4	1.3750	0.630	13	0.875	0.240
ABWT12V(R)	3/4	1.3750	0.630	13	0.875	0.240
ABWT12-1-2001(R)	5/8	1.3750	0.630	14	0.875	0.240
ABWT14(R)	7/8	1.6250	0.755	6	0.875	0.350